

MP 01

media player

m lit r



The MP 01 is a versatile, interactive media player. The stand-alone device offers great connectivity due to its nine independent inputs and outputs.

The MP01 media player has been designed for the continuous operation of interactive video installations in exhibitions and trade shows as well as sales and information points.

Handsets, headphones, sensors and buttons as well as their internal illumination can easily be connected and powered via Phoenix connectors. Full HD displays or projectors can also be connected to the player via the standard HDMI input.

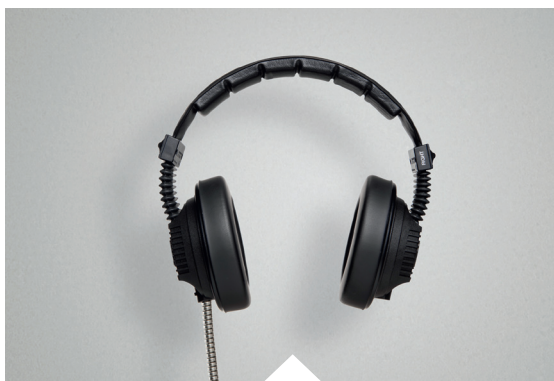
Playlists can be customised from those included as standard and allow the easy implementation of complex interactions. Utilising the nine available inputs, contact closure sensors and buttons can easily be integrated into the programming. The nine outputs can then be independently controlled to power various things like push-button lights.

Audio and video files can be stored on either an SDHC memory card or a USB stick. With

the integrated amplifier, up to two handsets or headphones can be connected. In addition, an external amplifier or powered speakers can be connected via the line-level output.

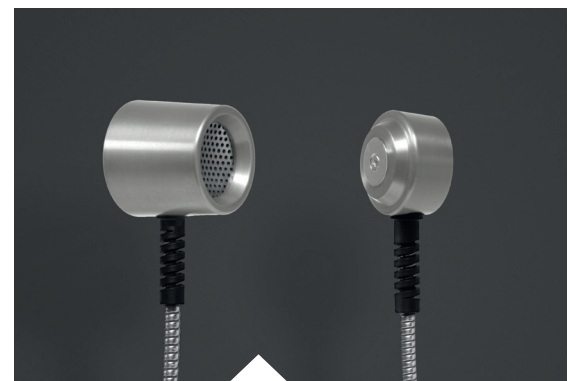
The switchable outputs can be expanded to control relays and motors etc. with the aid of an optional external board.

A remote control for device configuration comes included with the player.



The **USO** handset combines high-quality technology with an attractive and robust design.

Excellent sound, pleasant material and break-resistant properties are the qualities that have made USO the handset of choice in museums and exhibitions worldwide.

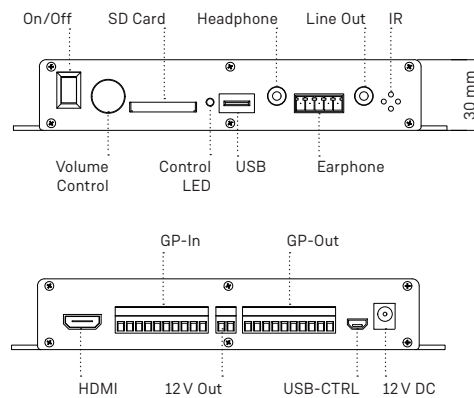
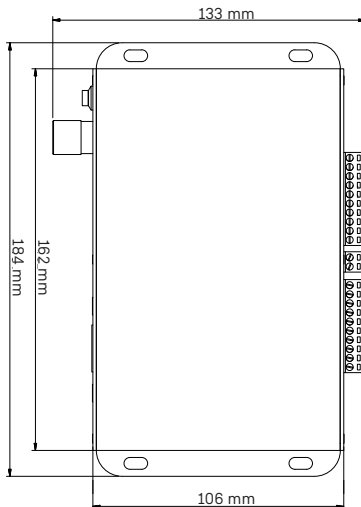


DIO is a robust all-rounder which is suitable for continuous use. Its sturdy, metal-plated cable ensures that it works without any problems and prevents wear and tear.



The **VIA** handset is characterised through its high-quality technology and elegant design. VIA is available in many colours and materials and is therefore versatile.

Technical data



| | |
|---------------------------|---|
| Power supply | 12 V DC |
| Supported storage devices | SDHC memory card, USB stick (up to 64 GB) |
| Formatting | FAT, FAT32, NTFS |
| Outputs | head phone jack (3.5 mm jack plug; head phone jack (Phoenix terminal, stereo); audio/line (3.5 mm jack plug, stereo); HDMI-output; 10-Pin Out-Port, (Phoenix terminal); 12 V Out (Phoenix terminal) |
| Inputs | Isolated 10-Pin In-Port (Phoenix plug), 2-Pin switch contact for handsets (Phoenix plug) |
| Video formats | MP4, MOV, WMV and more (up to 1080 p) |
| Audio formats | MP3, WAV |
| Amplifier | Integrated amplifier for up to two handsets or headsets, performance 80 mW max. |
| Playlists | Customizable Playlist |
| Accessories | 12 V-power supply, 100-240 VAC; remote control; Phoenix terminal 2-Pin, 5-Pin and 10-Pin |

In our manufacturing workshops in Berlin Kreuzberg we assemble the players AP 01 and MP 01, produce the USO, VIA and PLUX handsets and construct listening stations as well as exhibits. We take on every processing step from concept, design, prototype manufacturing, production, assembly, programming and commissioning to maintenance.

www.molitor-berlin.de/produkte

produkte@molitor-berlin.de

+49 - 30 - 62 90 19 - 0

References molitor products

Babylonian Jewry Heritage Center, Or Yehuda, Israel | The British Museum, London | California Academy of Sciences | CERN, Genf | Cité de l'architecture et du patrimoine, Paris | Deutsches Technikmuseum, Berlin | Exploratorium, San Francisco | IWM, London | Jüdisches Museum, Wien | Museum Moesgard, Højbjerg (DK) | MUSE, Trient | Musée des Confluences, Lyon | Museo del Palacio de Bellas Artes, Mexico | Museo Nazionale della Scienza e della Tecnologia, Mailand | Museum of London | Museum of the City of New York | Nasjonalmuseet for kunst, arkitektur og design, Oslo | National Museum of Australia, Canberra | Natural History Museum, London | Shanghai Film Museum | Staatliches Museum für Politische Geschichte Russlands, St. Petersburg | Deutsches Hygiene-Museum, Dresden | Swedish Museum of Natural History, Stockholm | Technisches Museum Wien | The Manitoba Museum, Winnipeg (CA) | Victoria and Albert Museum, London | Zoo Zurich

m lit r

